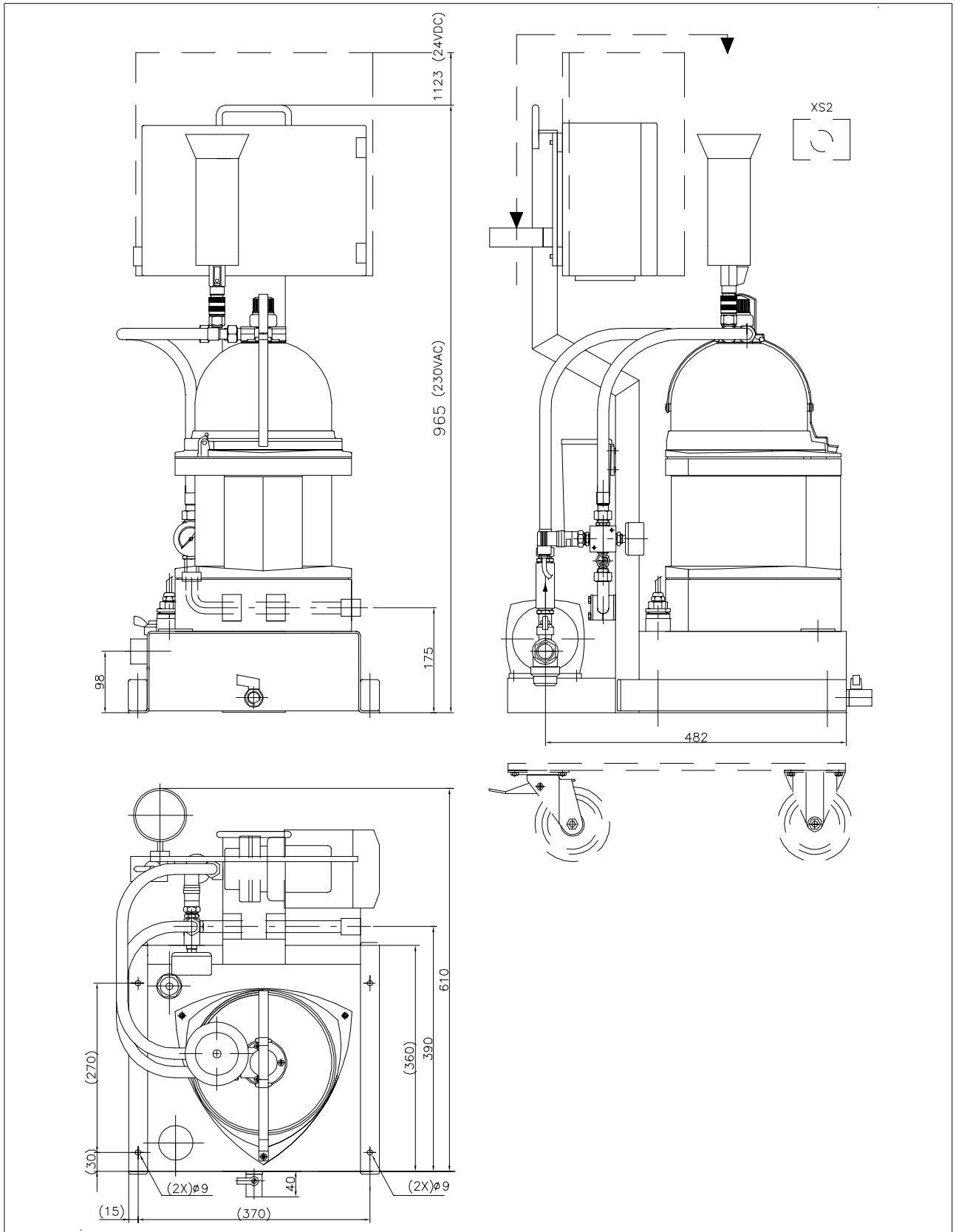


2.1.2 Basic Size



Ref. 1765784 Rev. 0